

ICON

A new light



ICON



ICON-WH



ICONX




ELECTRONIC LED FLASHING BEACON


ICON is a movement indicator based on the latest-generation LED technology housed in a sturdy container with an attractive and functional design.

The flashing board has a dual power supply (24Vac/dc or 230Vac) and an integrated antenna dedicated to radio receivers with 433 MHz frequency.

The high-efficiency LEDs with higher angle of emission ensure excellent visibility even during the day, and the combined diffuser cover makes **ICON** visible from all angles.

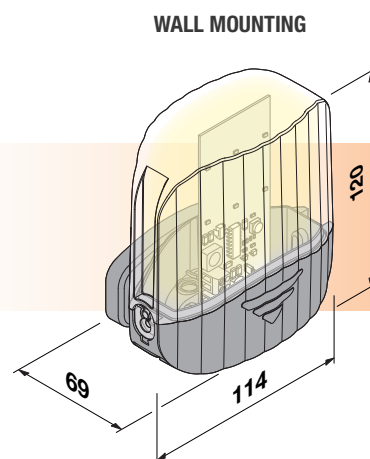
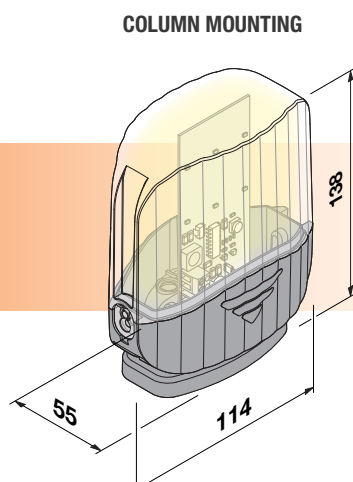
It is easy and intuitive to install by mounting on a column or wall with a protrusion of only 69 mm depending on the type of installation.

 The **ICON-WH** beacon has the same features as the **ICON** with white flashing light.

 The **ICONX** beacon is the most advanced model, with a transparent hood and RGB LEDs controlled by an electronic system that continuously communicates with the Cardin control units.

This flashing beacon allows signalling the different automation situations, such as: **ORANGE** during manoeuvres, **GREEN** when the doors are open, **RED** for alarms/faults and **WHITE** as a courtesy light.

In addition to the coloured indications, **ICONX** also enables activating an internal buzzer and adding an acoustic signal during manoeuvres.



www.cardin.it